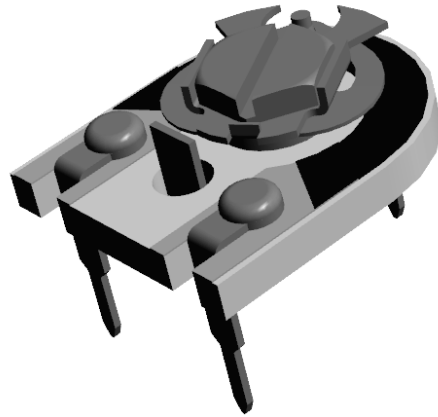


CN-15 series

Characteristic

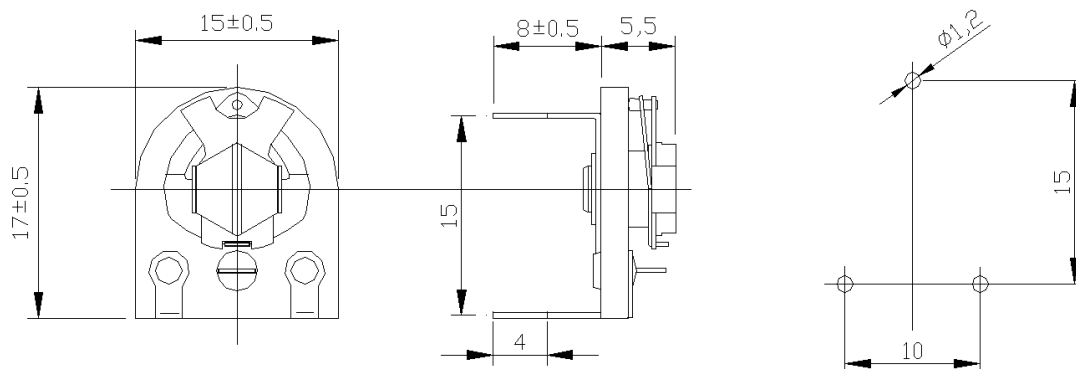
CN-15 series trimming potentiometers are used as regulatory, and adjustable elements. Main advantage of these potentiometers is cermet resistive element, which is characterized by a greater durability than a typical carbon track. Potentiometers have a linear characteristic of regulation, and are made in two mounting types. Potentiometers with 5% and 10% resistance tolerance are available on request.



<u>Parameter</u>		<u>Value</u>
Nominal resistance		szereg E6
Range of available resistances		100Ω ... 4,7MΩ
Resistance tolerance	$R \leq 680 \text{ k}\Omega$	±20%
	$R > 680 \text{ k}\Omega$	±30%
Max. dissipation power P_n (T = 40°C)		1 W
Max. load at category temperature		50% P_n
Max. operating voltage		250 V
Temperature coefficient of resistance (TCR)		$\pm 300 \times 10^{-6}/\text{K}$
Climatic category		55/125/56

Dimensions

CN 15.1 ... // version for horizontal mounting



TELPOD S.A.

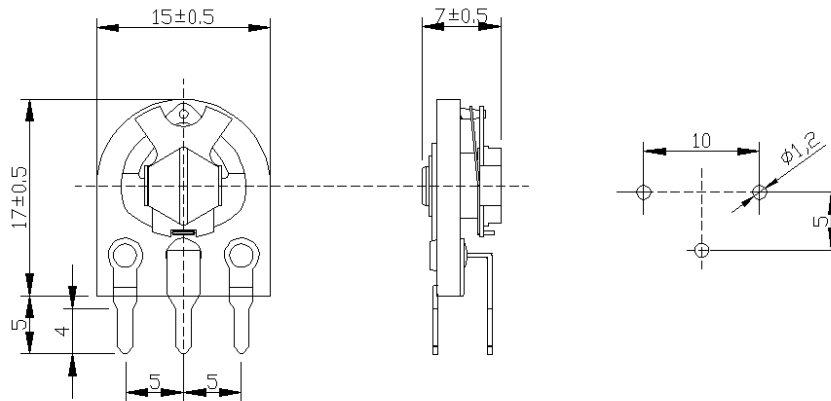
str. Pilsudskiego 63A
32-050 Skawina
www.telpod.pl

Technical division: +48 (0)12 257 10 12
Sales division: +48 (0)12 257 10 35
fax: +48 (0)12 257 10 13
e-mail: potentiometer@telpod.pl

date: 04 / 2015
Copyright 2015 by Telpod

CN-15 series

CN 15.2 ... // version for vertical mounting



TELPOD S.A.

str. Pilsudskiego 63A

32-050 Skawina

www.telpod.pl

Technical division: +48 (0)12 257 10 12

Sales division: +48 (0)12 257 10 35

fax: +48 (0)12 257 10 13

e-mail: potentiometer@telpod.pl

date: 04 / 2015

Copyright 2015 by Telpod