

Thick-film power resistor RTS-02

Characteristics



Description

RTS series high power resistors are made in a thick film technology on stainless steel substrate. Resistors are characterized by a high power at small size, high resistance to temporary overloads and very low inductance which make them useful at high power and high frequency applications. Mounting holes dimensions are compliant with standard thick film heat-sinkable power resistors, which allows for an easy replacement. Various types of connectors are available, in standard resistors are equipped with 5/A screw connectors. Resistors are designed for use with [suitable heatsink](#).

Features

- Very good power/volume ratio
- Power applications up to 1000W
- Wide ohmic range
- Flat design
- Non inductive
- Easy mounting
- RoHS compliant



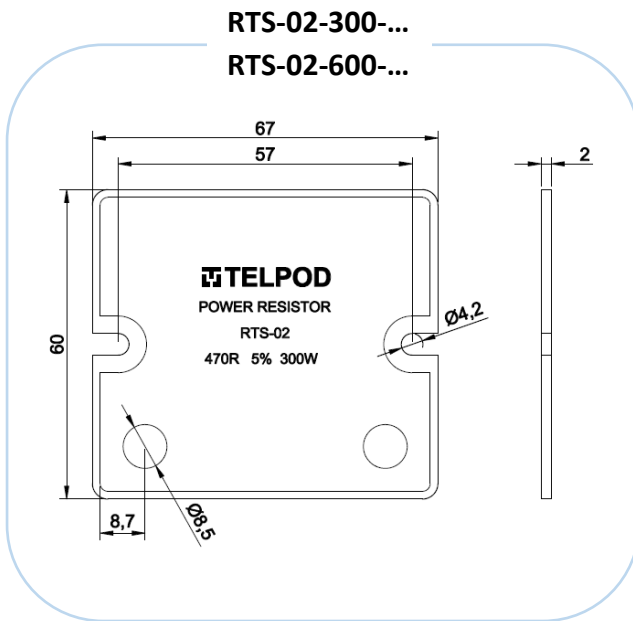
Technical Specifications

	RTS-02-300	RTS-02-600
Resistance range	0,1 Ω ... 1 MΩ (available also < 0,1 Ω)	
Resistance tolerance	±5%, ±10 %	
Power rating (on heatsink)	300 W	600 W
Electric strength voltage	2,5 kV	
Temperature coefficient	±100 ppm/°C (available also ±1500 ppm/°C)	
Max operating temperature	170 °C (available also 300°C)	
External dimensions	67 x 60 x 2 mm	
Mounting - torque for contacts M4	1,6 Nm ... 1,8 Nm	

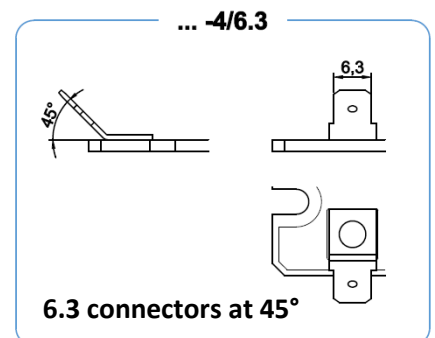
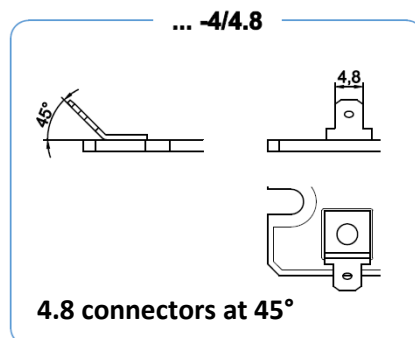
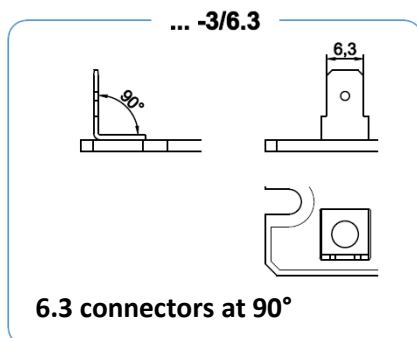
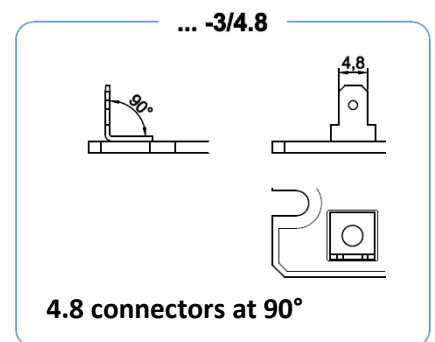
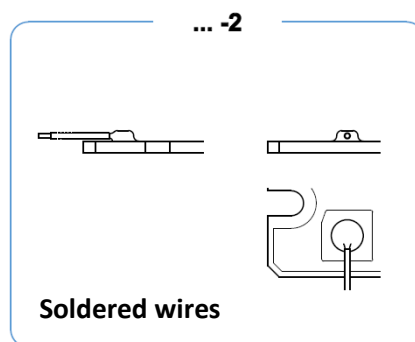
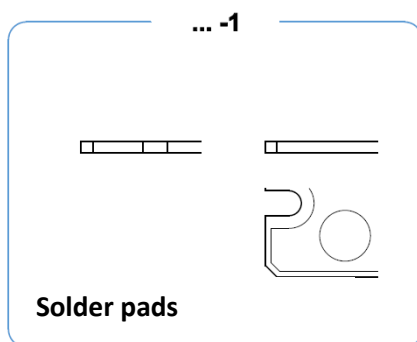
Thick-film power resistor RTS-02

External dimensions

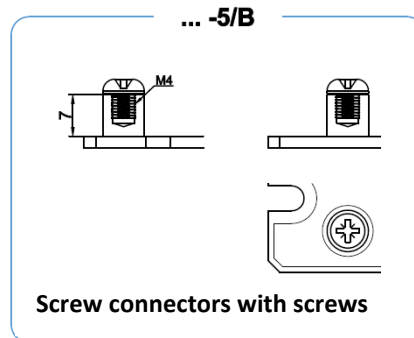
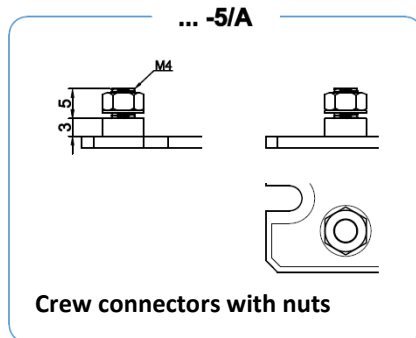
[mm]



Types of terminals



Thick-film power resistor RTS-02



The recommended tightening torque for **5/A** and **5/B** connections is **1.2 Nm**

Mounting to the heat sink

The resistor should be screwed to the heat sink with M4 screws. In order to ensure effective heat transfer, we recommend using thermocouples dedicated specifically to our products. More information on [RTS-THERMOPADS](#).

Ordering informations

Series	-	Power	-	Resistance	-	Tolerance	-	Terminal
RTS-02		300 W		0R1		5 %		1 2
		600 W		...		10 %		3/4.8 3/6.3
				...				4/4.8 4/6.3
				1M				5/A 5/B

Example

RTS-02 - 300 - 1R - 5 - 5/A

RTS-02 series resistor with power 300W, resistance $1\Omega \pm 5\%$ with screws and nut connections.

TELPOD S.A.

Pilsudskiego 63A
32-050 Skawina
www.telpod.pl

Sales Division

Tel.: +48 (0)12 257 10 35
Fax: +48 (0)12 257 10 13
order@telpod.pl

Technical Division

Tel.: +48 (0)12 257 10 12
thickfilm@telpod.pl

