

GBR-390 Series

Characteristic

GBR-390 series high-voltage resistive dividers are made in a thick film technology on ceramic substrates (Al_2O_3 - 96%) with leads for through-hole mounting. Dividers are characterized by very high maximum voltage, and standard voltage division. Other values of resistance, and tolerance (up to 0,1%) are available on request.

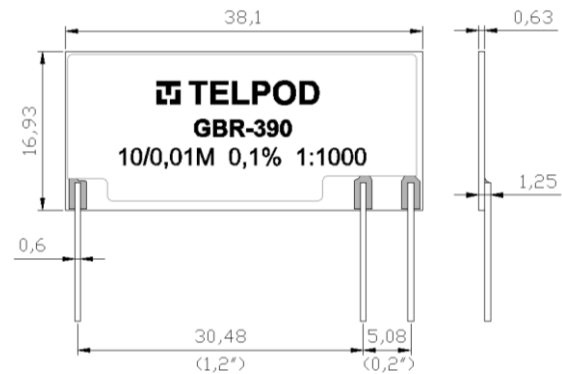
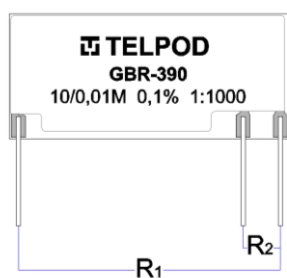


Fig. 1. Preview with dimensions [mm]

Parameter	Value
Resistance	R_1 1 - 40 M Ω
	R_2 $R_1 / 1000$ or $R_1 / 100$
Tolerance	$\pm 0,1\%$... $\pm 5\%$
Rated power	4 W
Max. operating voltage	14 kV
Voltage limit (5s)	40 kV
Temperature coefficient of temperature (TWR)	± 40 ppm/ $^{\circ}\text{C}$
Operating temperature	-25 ... +70 $^{\circ}\text{C}$

Typical values



Resistance R_1	Resistance R_2	Ratio $R_2 : R_1$
10 M Ω	0,01 M Ω	1:1000
1 M Ω	0,01 M Ω	1:100

Product marking

